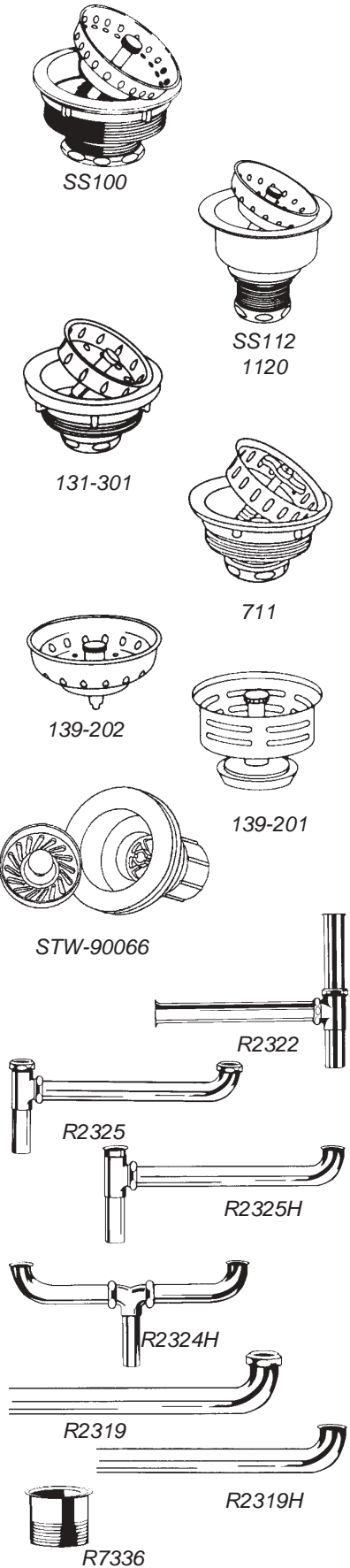




June 1, 2006

Tubular Brass

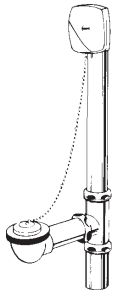


Model#	Description	Code#
Strainers		
131-209 B&K	Heavy gauge stainless steel construction, positive acting stick post crumb cup with rolled edge. Fits sinks with 3-1/2" to 4" opening. 4-1/2" flange diameter	250-0110
SS112	Heavy gauge stainless steel construction, positive acting stick post crumb cup with rolled edge. Double cup design for a quick and positive fit. Fits sinks with 3-1/2" to 4" opening. 4-1/2" flange diameter. NORCA	250-0115
1120	Made in USA - All stainless steel deep dish locking shell sink basket strainer GARVIN	250-0116
131-301	Premium quality chrome plated brass construction, deep well design, positive acting stick post crumb cup with rolled edge. Fits sinks with 3-1/2" to 4" opening. 4-3/8" flange diameter.	250-0120
711	Made in USA - Brass body, stainless steel basket, Spin-in-Grin sink strainer GARVIN	250-0130
221	Replacement basket for 711 Spin-N-Grin	250-0135
139-202	Replacement strainer - stick post type	250-0112
139-201	Replacement strainer - fit all metal post type	250-0113
STW-90066	Opella Complete Sink Strainer in tough, resistant "Celcon". Will not crack, chip or peel. Fits all standard sinks. Polar White	250-0250
	Almond	250-0255
	Biscuit	250-0260
R2322	Disposer Kit - 1-1/2 x 13 Center to End, Satin Finish, 20 gauge.	250-0370
R2325-16"	End Outlet Sink Waste -Slip Joint, 1-1/2 x 16 Center to Center, Satin Finish, 20 gauge	250-0425
R2325H-16"	Hi-Line End Outlet Waste 1-1/2 x 16 Center to Center, Satin Finish, 20 gauge	250-0470
R2324H-16"	Hi-Line Clean Out Sink Waste 1-1/2 x 16 Center to Center, Satin Finish, 20 gauge	250-0490
R2319-15"	Slip Joint Waste Arm, 15 inch for 16 inch end outlet 20 gauge, Satin Finish	250-0570
R2319H-15"	Hi-Line Waste Arm 15 inch for 16 end outlet, 20 gauge Satin Finish	250-0575
R7336	Hi-Line Nipple 1-1/2 - Satin Finish	250-0720



Model#	Description	Code#
--------	-------------	-------

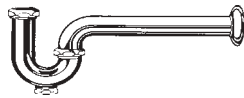
Bath Wastes - Unfinished



R465

R465	Chain & Stopper for 16" leg tub, 1-3/8 with reducing tailpiece, 22 Gauge, with CP face plate and drain ...	250-0800
------	--	----------

Semi-Cast P-Traps with clean-out



R867D,R871D

R867D	P TRAP, deep flange 1-1/4", with 17 Gauge waste arm, Chrome Plated	250-0925
R871D	P TRAP, deep flange 1-1/2, - packed with 1-1/2" x 1-1/4" reducing poly washer, with 17 Gauge waste arm, Chrome Plated	250-0930

J-Bends for Tube Traps with nuts and washers, Less cleanout, chrome plated



R63,R61,R65

R63	1-1/2, 20 Gauge	250-1035
R61	1-1/4, 17 Gauge	250-1045
R65	1-1/2, 17 Gauge	250-1055

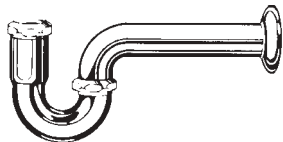
Box Flanges



4T-259-2,4T-258-2

4T-259-2	Box Flange 1-1/4 OD, Polished Brass	250-1124
4T-258-2	Box Flange 1-1/2 OD, Polished Brass	250-1125

P-Traps with Standard Flange (unless noted)



P-trap

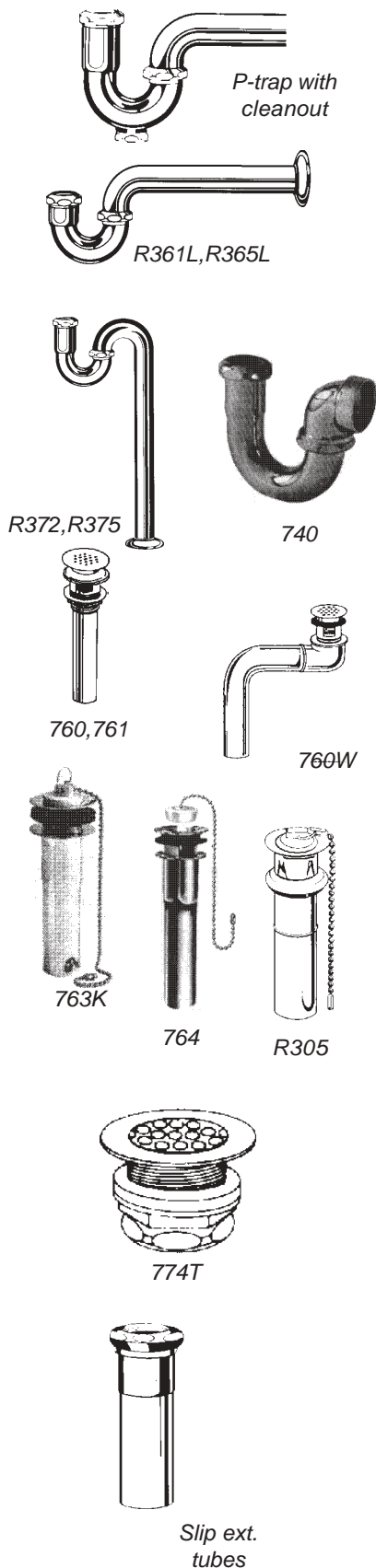
21602	P-TRAP 1-1/4, less flange, 17 gauge, Polished Brass	250-1130
R360D	P TRAP 1-1/4, deep flange,20 gauge Chrome Plated	250-1145
R360	P TRAP 1-1/4, 20 gauge Satin Finish	250-1150
R361B	P TRAP 1-1/4, 17 gauge Chrome Plated, with brass nuts	250-1153
R361D	P TRAP 1-1/4, deep flange, 17 gauge, Chrome Plated	250-1155
R361	P TRAP 1-1/4, 17 gauge , chrome plated	250-1160
R363X	P TRAP 1-1/2, 20 gauge , 3" longer, satin finish	250-1180
R363	P TRAP 1-1/2, 20 gauge , satin finish	250-1190
R365B	P TRAP 1-1/2, 17 gauge , chrome plated with brass nuts	250-1215

P-Traps with Standard Flange (unless noted)

R365D	P TRAP 1-1/2, 17 gauge, satin finish, deep flange ..	250-1220
R365	P TRAP 1-1/2, 17 gauge, satin finish	250-1225



June 1, 2006



Model#	Description	Code#
P-traps with clean-out		
R367D	P TRAP 1-1/4, 17 gauge, with cleanout, deep flange, chrome plated	250-1250
R371D	P TRAP 1-1/2, 17 gauge, with cleanout, deep flange, satin finish	250-1270
Low Inlet Tube P-Traps		
R361L	P TRAP 1-1/4 17 gauge, chrome plated	250-1290
R365L	P TRAP 1-1/2 17 gauge, chrome plated	250-1300
S-Traps		
R372	S TRAP 1-1/4, 20 gauge, chrome plated	250-1330
R375	S TRAP 1-1/2, 20 gauge, chrome plated	250-1340
Sink Trap		
740	SINK TRAP 1-1/2 IPS with reducing poly washer, 17 gauge, satin finish	250-1440
Cast Grid P.O. Plugs		
760	P.O. Plug 1-1/4 x 6, 17 gauge, tailpiece, CP	250-1475
760W	Offset Lav Drain 1-1/4" 17 gauge, CP	250-1477
761	P.O. Plug 1-1/2 x 6, 17 gauge, tailpiece, CP	250-1480
Wrot Plugs with Chain and Stopper, Chrome Plated		
763K	1-1/4 X 5 CO, 2 piece, less overflow	250-1510
764	1-1/4 X 6 PO, 2 piece	250-1525
R305	1-1/4 X 8 PO, 2 piece	250-1530
Miscellaneous strainers		
774T	Duplex, brass body with flat stainless steel strainer, with tailpiece	250-1610
Slip Extension Tubes, 22 Gauge		
R176N-6"	1-1/4 x 6, chrome plated	250-1710
R176N-8"	1-1/4 x 8, chrome plated	250-1725
R176N-12"	1-1/4 x 12, chrome plated	250-1755
H176N-6"	1-1/2 x 6, chrome plated	250-1785
H176N-8"	1-1/2 x 8, chrome plated	250-1790
H176N-12"	1-1/2 x 12, chrome plated	250-1810



Model#	Description	Code#
--------	-------------	-------



795,796



R177

Strainer Tailpieces

795	1-1/4 x 6, chrome plated, 20 gauge	250-1860
796	1-1/4 x 8, chrome plated, 20 gauge	250-1870

Straight Tailpieces, flanged

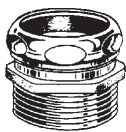
R177-4"	1-1/2 x 4, chrome plated, 22 gauge	250-1890
R177-8"	1-1/2 x 8, chrome plated, 22 gauge	250-1920
R177-12"	1-1/2 x 12, chrome plated, 22gauge	250-1935



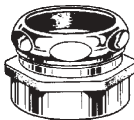
R177D

Strainer Tailpieces

R177D	Double Flanged 1-1/2 x 12, 22 gauge, chrome plated	250-1960
-------	---	----------



192D, 196D



191D, 193D, 197D

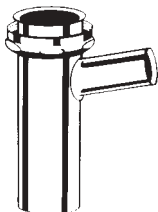
Straight Drainage Waste Connections

Compression x M.I.P. with Chrome Brass Nut

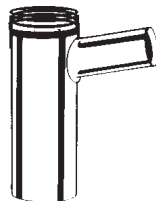
192D	1-1/4 x 1-1/2	250-1980
196D	1-1/2	250-1985

Compression x F.I.P. with Chrome Brass Nut

191D	1-1/4	250-1990
193D	1-1/4 x 1-1/2	250-1995
197D	1-1/2	250-2000



R571



814T, 814TA

Branch Tailpieces 7/8OD Swt or Hose Clamp Connection

R571-8"	1-1/2 x 8, satin finish	250-2045
814TA	1-1/2 x 6, threaded top, satin finish	250-2055



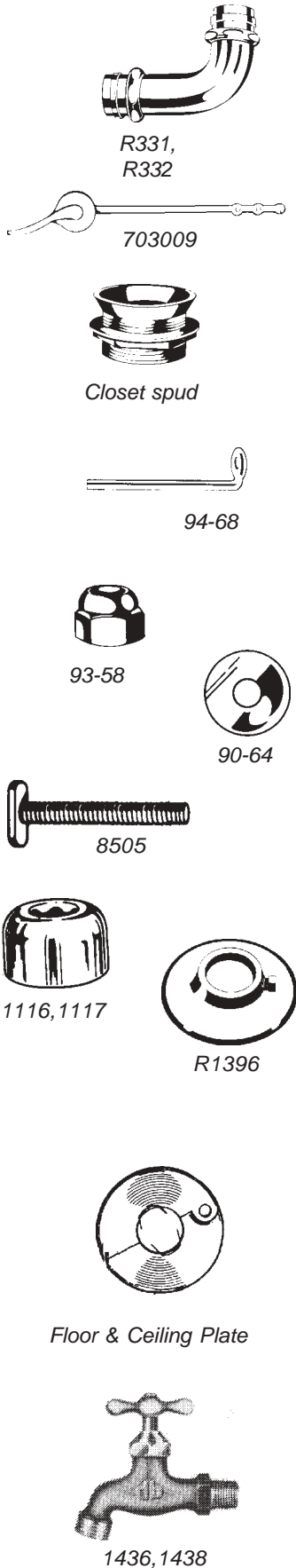
R342, R350, R349

Straight Tubes Threaded Both Ends

R342	TBE 1-1/4 x 12, 20 gauge, chrome plated	250-2105
R350	TBE 1-3/8 x 12, 22 gauge, chrome plated	250-2120
R349	TBE 1-1/2 x 12, 20 gauge, chrome plated	250-2160



June 1, 2006



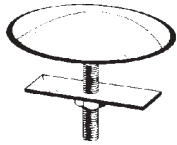
Model#	Description	Code#
Closet Flush Ell - 21 gauge		
R331	2 x 5 x 7	250-2335
R332	2 x 6 x 8	250-2355
Trip lever		
703009	Toilet Tank Flush Lever, 8" round brass arm	250-2412
Closet /Urinal Spuds - Unfinished		
4029	1-1/4	250-2425
4028	1-1/2	250-2430
4025	2	250-2435
4026	2 x 1-1/2	250-2440
4030	1 x 3/4	250-2445
Spud Washers See SECTION 560.		
Lift Wire		
94-68	Lift Wire LONG, brass, 9 Inch	250-2500
Closet Bolt Nuts		
93-58	OPEN 1/4, chrome plated	250-2520
Closet Bolt Washers		
90-64	Closet Washer, round, heavy, chrome plated brass	250-2535
Closet Bolts		
8505	Closet Bolt, Brass, 1/4 x 2-1/4	250-2555
Closet Bolts/Screw Sets - See Section 275		
1116	Box Flange ,1-1/4 OD, chrome	250-2835
1117	Box Flange ,1-1/2 OD, chrome	250-2845
R1396	Set Screw Flange 1/2 IPS, chrome plated	250-2865
Floor and Ceiling Plates, Chrome Plated		
	1/2 nominal	250-3010
	3/4 nominal	250-3015
	1 nominal	250-3020
	1-1/2 nominal	250-3030
	2 nominal	250-3035
	1/2 IPS	250-3050
	3/4 IPS	250-3055
	1 IPS	250-3060
	1-1/4 IPS	250-3065
	1-1/2 IPS	250-3070
	2 IPS	250-3075
Hose Bibb with T-Handle, Rough Brass, Male iron pipe to hose		
1436	HOSE BIBB, 1/2	250-3305
1438	HOSE BIBB, 3/4	250-3310



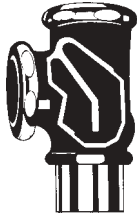
Model#	Description	Code#
Slip Joint Nuts with Washer		
B387	Chrome plated brass 1-1/4	250-3605
B389	Chrome plated brass 1-1/2 x 1-3/8	250-3625
B390	Chrome plated brass 1-1/2	250-3630
B391	Chrome plated brass 2	250-3640
Slip Joint Nuts		
R387	Chrome plated - Die Cast 1-1/4	250-3645
R390	Chrome plated - Die Cast 1-1/2	250-3670
1228	Faucet Hole Cover, 1-3/4", with one piece head, cp steel	250-3790
1230	Faucet Hole Cover, 2", with one piece head, cp steel	250-3795
4T-200-13	Faucet Hole Cover, 2" WHITE	250-3797
4T-200-19	Faucet Hole Cover, 2" ALMOND	250-3799
4T-200-16	Faucet Hole Cover, 2" BISCUIT	250-3801
R444	End outlet tee, cast brass, 22 gauge, tailpiece, with baffle, satin finish 1-1/2	250-4205
3785AT	Basket Strainer with Tailpiece, 2-1/2"	250-4945
4444-1	Compression Ring, 1-1/4	250-5750
4550-1	Uni-Lift Plug & Seat CP	250-5800



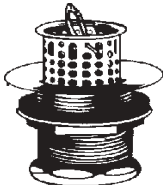
Slip joint nut



Faucet hole cover
1228, 1230



R444



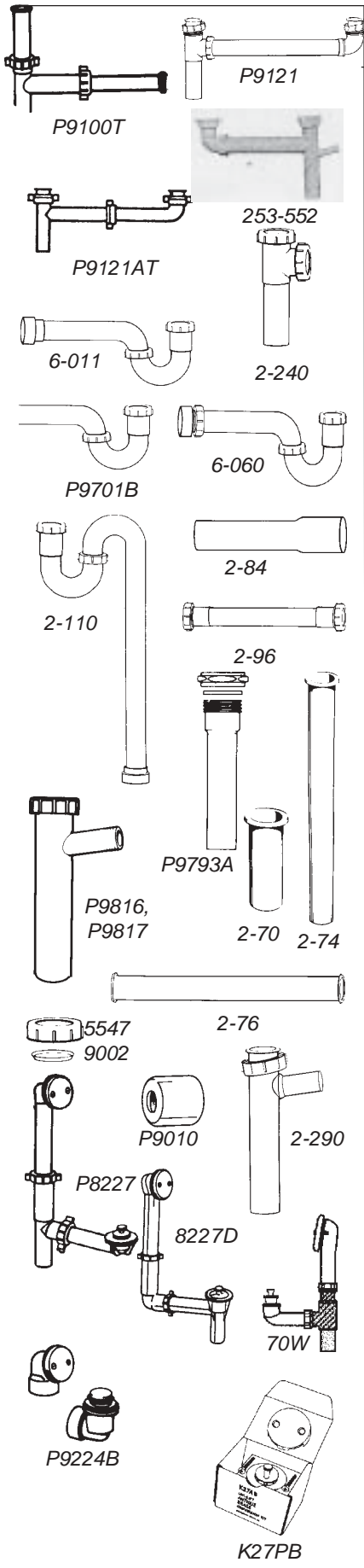
3785AT



4444-1



June 1, 2006



Model#	PVC Description	Code#
P9100T	PVC Telescopic Disposer Kit 1-1/2"	250-6401
P9121	PVC Continuous Waste 1-1/2 x 16 Direct Connect ..	250-6500
P9121A	PVC 1-1/2 x 16 Cont. Waste	250-6502
P9121T	PVC Telescopic 1-1/2" End Outlet Continuous Waste - Adjustable from 11" to 17" Direct Connect .	250-6505
253-552	PVC "Y" Branch EO Waste	250-6510
2-240	PVC Baffle Tee Slip Joint 1-1/2	250-6515
6-011	PVC P-Trap 1-1/2 (with 1-1/2 x 1-1/4 washer)	250-6550
6-060	PVC P-Trap 1-1/2 (with 1-1/2 x 1-1/4 washer)	250-6555
837PVCBG	PVC Bayonet P-Trap 1-1/2x1-1/2 bagged	250-6570
P9701B	PVC P-Trap 1-1/4	250-6580
2-110	PVC S-Trap 1-1/2 (with 1-1/2 x 1-1/4 washer)	250-6600
2-84	PVC Extension Tube 1-1/2X12	250-6650
P9791A	PVC Slip Joint Extension Tube 1-1/4 x 12	250-6655
P9793A	PVC Slip Joint Extension Tube 1-1/2 x 12	250-6657
2-96	PVC Double Connect Slip Joint Extention Tube 1-1/2 x 16	250-6660
918PVCBT	PVC Bayonet D-SJ Tube 1-1/2x12	250-6664
2-70	PVC Sink Tailpiece 1-1/2 x 4	250-6670
2-74	PVC Sink Tailpiece 1-1/2 x 12	250-6717
2-76	PVC Double Flange Tailpiece 1-1/2 x 16	250-6720
P9816	PVC Slip Joint Tailpiece, 1-1/2" x 8" x1/2 branch	250-6816
P9817	PVC Slip Joint Tailpiece, 1/1/2" x 8" x 3/4 branch ...	250-6817
2-290	PVC Direct Connect Tailpiece, 1-1/2" x 8" x 1/2 branch	250-6818
5547	PVC Slip Joint Nut 1-1/4	250-6290
5550	PVC Slip Joint Nut 1-1/2	250-6300
9002	Poly Washer for Slip Joint Nut 1-1/2	250-6302
P9010	PVC Deep Flange 1-1/2" OD	250-6315
70W	Chrome Lift 'n Turn Bath Waste Drain	250-6200
P8227	PVC UNI-LIFT Bath Drain with 1-1/2 Bath Shoe Bath Shoe Chrome Plated	250-6230
P8227PB	Polished Brass	250-6234
P8227WH	White	250-6236
CP4550-1	UNI-LIFT PLUG & SEAT	250-5800
P8227D	PVC Uni-Lift Direct Drain	250-6526
P9224B	TAP-TAP SCH 40 Less Tubes & Tee, CP	250-6527
K27PB	Uni-lift Conversion Kit - Polished Brass	250-8501



	Model#	Description	Code#
	ABS		
	A9100T	ABS Telescopic Disposer Kit, 1-1/2	250-7061
	A9121	ABS Continuous Waste 1-1/2 x 16 Direct Connect .	250-7100
	A9121A	ABS Continuous Waste 1-1/2x16 Hi-Line/SJ Comb	250-7102
	120AB	ABS Telescopic 1-1/2" end outlet continuous waste adj. from 11" to 17", Direct Connect	250-7105
	253-552B	ABS "Y" Branch EO Waste	250-7110
	A9185	ABS Baffle Tee SJ 1-1/2 1-240	250-7115
	5-011	ABS P-Trap 1-1/2 (with 1-1/2 x 1-1/4 washer)	250-7130
	5-060	ABS P-Trap 1-1/2 (with 1-1/2 x 1-1/4 washer)	250-7150
	837ABSBG	ABS Bayonet P-Trap 1-1/2 x 1-1/2 (bagged)	250-7170
	1-84	ABS Extension Tube 1-1/2 x 12	250-7200
	1-94	ABS Slip Joint Extension Tube 1-1/2 x 12	250-7270
	1-96	ABS Double Connect Slip Joint Extension Tube 1-1/2 x 16	250-7280
	919ABSBT	ABS Double Connect 1/4 Turn Bayonet Extension Tube 1-1/2 x 16	250-7285
	1-70	ABS Sink Tailpiece 1-1/2 x 4	250-7300
	1-74	ABS Sink Tailpiece 1-1/2 x 12	250-7320
	1-76	ABS Double Flange Tailpiece 1-1/2 x 16	250-7340
	A9816	ABS Slip Joint Tailpiece, 1-1/2" x 8" x 1/2 branch ...	250-8000
	A8227	ABS UNI-LIFT with 1-1/2 Bath Shoe CP	250-7030