



FLEXIBLE SUPPLIES AND ACCESSORIES

Mfg.#	Description	Finish*	Code #
COMPONENT PARTS <u>ESCUTCHEONS</u>			
646	Flange Shallow 3/8 IPS	SS	255-0550
647	Flange Shallow 1/2 IPS	SS	255-0640
647	Flange Shallow 1/2 IPS	PB	255-0655
649	Flange Shallow 1/2 NOM	SS	255-0850
649	Flange Shallow 1/2 NOM	PB	255-0860
920-2W	Flange Shallow 5/8 OD Polyethylene	White	255-0865
<u>COMPRESSION NUTS AND RINGS</u>			
004	Comp Sleeve 5/8 OD	RB	255-0919
01	Compres Nut 3/8 OD	CP	255-0940
SUPPLY FITTINGS <u>INLET (F.I.P. OR M.I.P) X COPPER COMPRESSION OUTLET</u>			
12	Half Union 3/8 OD x 1/2 FIP	CP	255-1310
11	Half Union 3/8 OD x 3/8 MIP	CP	255-1340
13	Half Union 3/8 OD x 1/2 MIP	CP	255-1370
69-6-6-C	Elbow MALE 3/8 OD x 3/8 MIP	CP	255-1400
17	Elbow FEM. 3/8 OD x 1/2 FIP	CP	255-1490
<u>COPPER SWEAT INLET X COPPER COMPRESSION OUTLET</u>			
14	Half Union 3/8 OD x 1/2 S	CP	255-2370

*AB=ANTIQUÉ BRASS, CP=CHROME, PB=POLISHED BRASS, RB=ROUGH BRASS, SS=STAINLESS STEEL

Designs and specifications are for reference only and are subject to change without notice. Reprinted from manufacturer's material.

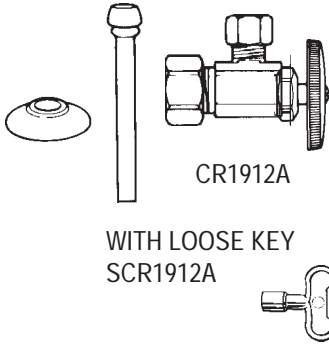


SUPPLY KITS

*ALL WITH 12" RISER TUBES
Closets - single units per box
Lavs - pair per box*

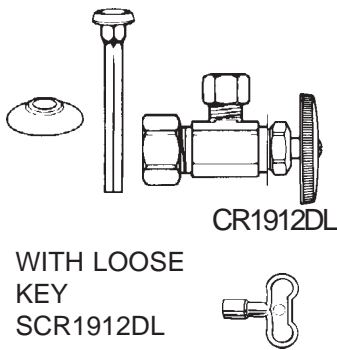
Mfg.#	Description	Finish*	Code #
-------	-------------	---------	--------

LAVATORY: COMPRESSION ANGLE VALVE X 3/8" O.D. COMPRESSION RISER



CR1912A	Angle Lav Supply with stop 5/8 OD	CP	255-1610
SCR1912A	A/Loose Key/lav supply/ w stop5/8OD	CP	255-1615

CLOSET: COMPRESSION ANGLE VALVE X 3/8" O.D. COMPRESSION RISER



CR1912DL	Angle Closet Supply w/stop 5/8 OD	PB	255-2005
CR1912DL	Angle Closet Supply w/stop 5/8 OD	CP	255-2010
SCR1912DL	A/Loose Key Clo Supply w/stop 5/8 OD	CP	255-2015

DUAL SHUT-OFF STOPS - COMPRESSION INLET



CR1901DVSR



CR1903DVR

Provide Dual Shut-Off Capability in Dishwasher/Ice Maker Installations

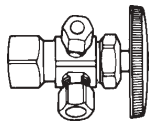
CR1901DVSR	Dual Shut-Off 5/8OD x 3/8OD x 3/8OD Comp	RB	255-1870
CVR1900DVR	Dual Shut-Off 1/2 Nom x 3/8 OD x 1/4 OD Comp	RB	255-1867
CV1903DVR	Dual Shut-Off 5/8OD x 3/8OD x 5/8OD Comp	RB	255-1875

*AB=ANTIQUÉ BRASS, CP=CHROME, PB=POLISHED BRASS, RB=ROUGH BRASS, SS=STAINLESS STEEL

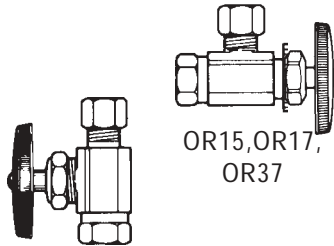
Designs and specifications are for reference only and are subject to change without notice. Reprinted from manufacturer's material.



Brass Craft

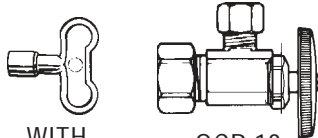


CR1901



OR15, OR17,
OR37

OR10, OR12

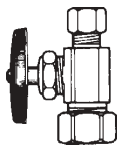


WITH
LOOSE KEY
SCR19

OCR 19
OCR39



G2CR19C
G2CR14C



OCR14, OCR34

VALVES

Mfg.#	Description	Finish*	Code #
<u>DUAL OUTLET VALVES COPPER COMPRESSION INLET X COPPER COMPRESSION (RISER) OUTLETS</u>			
CR1901LR	Stop 3-WAY 5/8 OD x 3/8 OD x 3/8 OD	CP	255-1860
<u>F.I.P. INLET X COPPER COMPRESSION (RISER) OUTLET</u>			
OR15	Stop Angle 3/8 FIP x 3/8 OD	CP	255-1040
OR10	Stop Straight. 3/8 FIP x 3/8 OD	CP	255-1100
OR17	Stop Angle 1/2 FIP x 3/8 OD	CP	255-1130
OR12	Stop Straight 1/2 FIP x 3/8 OD	CP	255-1190
<u>COPPER COMPRESSION INLET X COPPER COMPRESSION (RISER) OUTLET</u>			
R12	Stop Straight 1/2 FIP x 3/8 OD	RB	255-1192
OR37	Stop Angle 1/2 FIP x 1/2 OD	CP	255-1198
OCR09	Stop Angle 5/8OD x 1/4 OD	RB	255-1650
G2CR19C	Stop Angle 1/2 Comp x 3/8 OD (1/4 TURN)	CP	255-1660
OCR19	Stop Angle 5/8OD x 3/8 OD	CP	255-1665
OCR19	Stop Angle 5/8 OD x 3/8 OD	RB	255-1671
SCR19	Stop A/LOOSE KEY 5/8 OD x 3/8 OD	CP	255-1675
CR19	Stop Angle 5/8 OD x 3/8 OD	PB	255-1677
G2CR14C	Stop Straight 1/2 Comp x 3/8 OD (1/4 Turn)	CP	255-1735
OCR14	Stop Straight 5/8 OD x 3/8 OD	CP	255-1740
OCR14	Stop Straight 5/8 OD x 3/8 OD	RB	255-1742
OCR14	Stop Straight 5/8OD x 3/8 OD	PB	255-1744
OCR 39	Stop Angle 5/8 OD x 1/2 OD	CP	255-1769
OCR39	Stop Angle 5/8 OD x 1/2OD	RB	255-1771
OCR34	Stop Straight 5/8 OD x 1/2OD	CP	255-1800
OCR34	Stop Straight 5/8 OD x 1/2OD	RB	255-1802

*AB=ANTIQUÉ BRASS, CP=CHROME, PB=POLISHED BRASS, RB=ROUGH BRASS, SS=STAINLESS STEEL



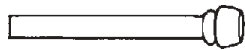
1-12KC & 1-20KC



CS600



1-12KA



12A & 20A



12DL & 20DL



12A, 20A, & 36A



12DL & 20DL



60PT-6

SUPPLY RISERS AND CONNECTORS

Mfg.#	Description	Length	Finish*	Code#
SINK: FLEXIBLE COPPER COMPRESSION RISER				
1-12KC	Lav Tube 3/8 OD x Comp	12"	CP	255-1920
1-12KC	Lav Tube 3/8 OD x Comp	12"	RB	255-1950
1-20KC	Lav Tube 3/8 OD x Comp	20"	CP	255-1960
1-20RC	Lav Tube 3/8 OD x Comp	20"	RB	255-1965
SINK: COPPER SWEAT RISER WITH SHANKNUT (UNPLATED ONLY)				
CS600	Sink S/Tube 1/2 OD PAIR	12"	RB	255-2490
SINK: FLEXIBLE COPPER SWEAT RISER				
1-12KA	Lav Tube 3/8 OD x 1/4 NS	12"	RB	255-2640
LAVATORY: FLEXIBLE COPPER ONE-PIECE RISER WITH INSERT				
1-12A	Lav Tube 3/8 OD x 12	12"	RB	255-2060
1-12A	Lav Tube 3/8 OD x 12	12"	CP	255-2070
1-12A	Lav Tube 3/8 OD x 12	12"	PB	255-2075
1-20A	Lav Tube 3/8 OD x 20	20"	RB	255-2090
1-20A	Lav Tube 3/8 OD x 20	20"	CP	255-2100
1-20A	Lav Tube 3/8 OD x 20	20"	PB	255-2105
1-36A	Lav Tube 3/8 OD x 36	36"	CP	255-2130
CLOSET: FLEXIBLE COPPER RISER W/PLASTIC INSERT GASKET NOSEPIECE				
1-12DL	Closet Tube 3/8 OD x 12	12"	CP	255-2220
1-12DL	Closet Tube 3/8 OD x 12	12"	PB	255-2222
1-20DL	Closet Tube 3/8 OD x 20	20"	CP	255-2250
1-20DL	Closet Tube 3/8 OD x 20	20"	PB	255-2255

POLYBUTYLENE

LAVATORY: POLYBUTYLENE RISER W/DELTRIN SLEEVE

P1-12A	Polybutylene Lav Tube 3/8 OD x 12	12"		255-5010
P1-20A	Polybutylene Lav Tube 3/8 OD x 20	20"		255-5020
P1-36A	Polybutylene Lav Tube 3/8 OD x 36	36"		255-5030

CLOSET: POLYBUTYLENE RISER W/DELTRIN SLEEVE

P1-12DL	Polybutylene Closet Tube 3/8 OD x 12			255-5050
P1-20DL	Polybutylene Closet Tube 3/8 OD x 12	12"		255-5060
		20"		
60PT-6	Plastic Compression Sleeve	3/8"		255-5070
60PT-4	Plastic Compression Sleeve	1/4"		255-5071
63PT-6	Br Insert	3/8"OD		255-5074
63PT-4	Br Insert	1/4"OD		255-5076

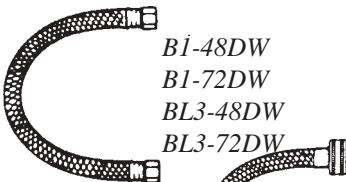
*AB=ANTIQUÉ BRASS, CP=CHROME, PB=POLISHED BRASS, RB=ROUGH BRASS, SS=STAINLESS STEEL



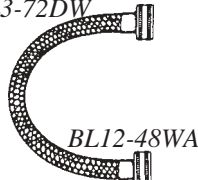
*Speedi -Plumb
Faucet
Connector*



*Speedi -Plumb
Closet
Connector*



*B1-48DW
B1-72DW
BL3-48DW
BL3-72DW*



BL12-48WA

Mfg.#	Description	Code#
<u>"Speedi One Plus" Flexible One-Piece Water Supplies. Easy to install, one-piece connection.</u>		
For Lavatory/Sink.		
OCR19B200AC	1/2" nom. compression (5/8" OD) CP inlet angle stop x 1/2" F.I.P. x 20" flexible connector	255-6055
For Closet.		
OCR19B90DLC	1/2" nom. compression (5/8" OD) CP inlet angle stop x 7/8" ballcock x 9" flexible connector	255-6095
OCR19B120DLC	1/2" nom. compression (5/8" OD) CP inlet angle stop x 7/8" ballcock x 12" flexible connector	255-6100
<u>BrassCraft Speedi-Plumb Polymer Braid Faucet Connector</u>		
PS830	3/8" female compression x 1/2" IP female straight thread (Carded) - for 12" faucet connection	275-0200
B1-12A (Bulk)		275-0201
B1-12KC	Faucet Connection 3/8x 3/8 OD	275-0203
PS832	3/8" female compression x 1/2" IP female straight thread (Carded) - for 16" faucet connection	275-0205
B1-16A (Bulk)		275-0206
B1-20A(Bulk)	3/8" female compression x 1/2" IP female straight thread - for 20" faucet connection	275-0211
B1-20KC	Faucet Connection 3/8 x 3/8 OD	275-0213
B1-30A (Bulk)	3/8" female compression x 1/2" IP female straight thread - for 30" faucet connection	275-0216
<u>BrassCraft Speedi-Plumb Polymer Braid Closet Connector</u>		
B1-9DL(Bulk)	3/8" female compression thread x 7/8" female ballcock thread - for 9" toilet connection	275-0306
PS856	3/8" female compression thread x 7/8" female ballcock (Carded) thread - for 12" toilet connection	275-0310
B1-12DL (Bulk)		275-0311
<u>Brasscraft Speedi-Plumb Polymer Braid for Dishwasher</u>		
B1-48DW	3/8" OD COMP x 3/8" OD COMP x 48" ..	275-0320
B1-72DW	3/8" OD COMP x 3/8" OD COMP x 72" ..	275-0322
BL3-48DW	1/2" OD COMP x 1/2" OD COMP x 48" ..	275-0325
BL3-72DW	1/2" OD COMP x 1/2" OD COMP x 72" ..	275-0327
<u>Brasscraft Speedi-Plumb Polymer Braid for Washing Machines</u>		
BL12-48WA	3/4" Female Hose Thread x 3/4" Female Hose Thread x 48"	275-0335