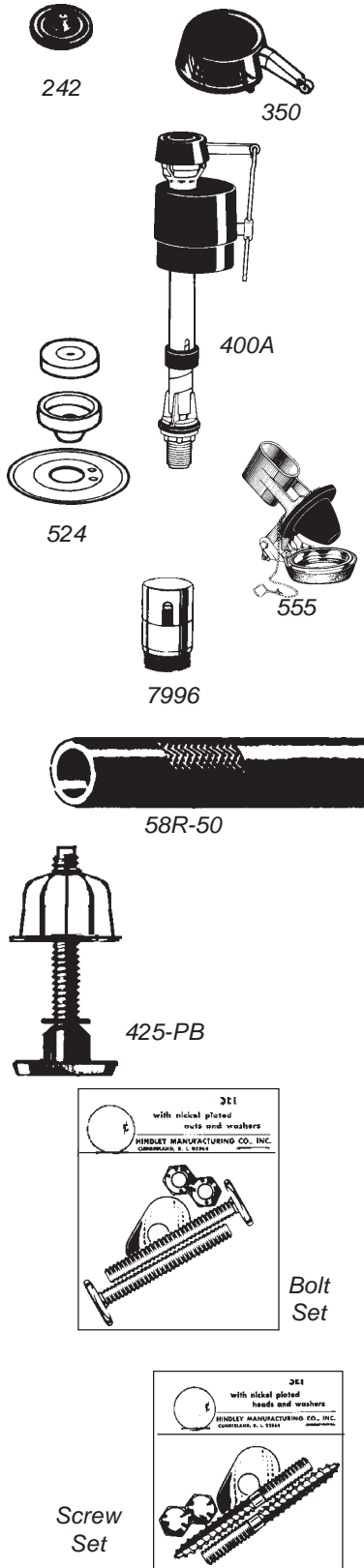
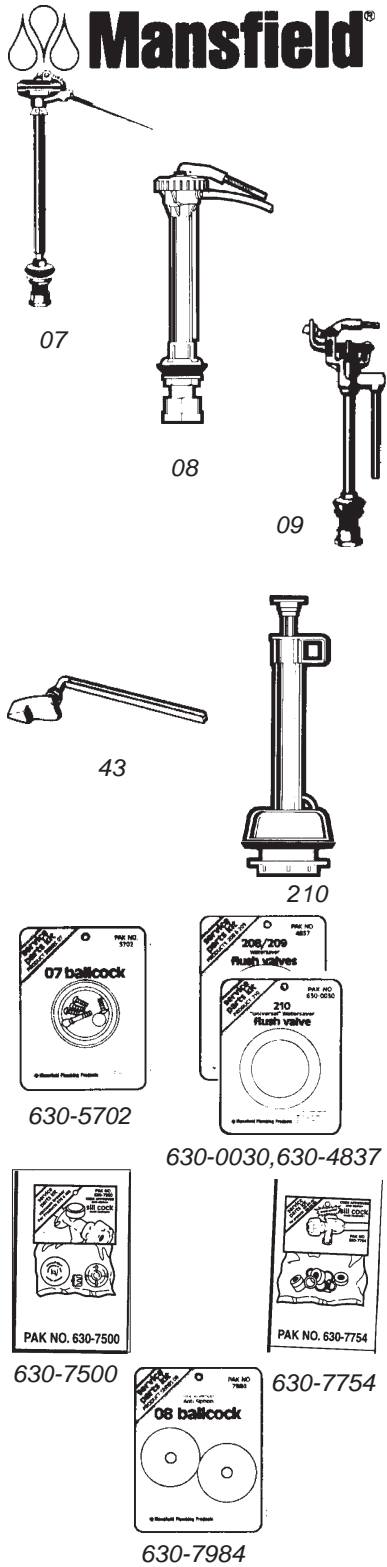




Plumbing Accessories



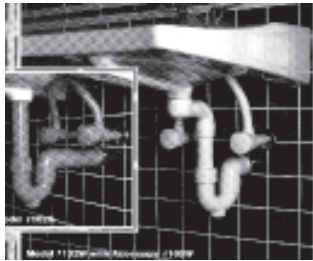
Model #	Description	Code #
242	Fluidmaster 212 Seal Assembly for 200-A and 400-A.....	275-0120
350	Fluidmaster Cap Assembly	275-0130
400A	Fluidmaster Ballcock (CODE). Works with fluid force of the water pressure, instant positive shut-off, accurate water level control, signals water waste, corrosion resistant, stops shut-off leaks squeaks and whistles. Operates from 5 to 250 psi. Adjustable from 9-1/2" to 14" in height. Fits most closet tanks. Anti-siphon.	275-0140
524	Fluidmaster 400 Seal Assembly	275-0185
555	Fluidmaster Flusher Fixer Kit	275-0190
BL3-48DW	Dishwash Conn 1/2 x 48	275-0325
	1/2 Comp x 1/2 Comp	
BL3-72DW	Dishwash Conn 1/2 x 72	275-0327
	1/2 Comp x 1/2 Comp	
BL12-72WAF	Wash Mach 3/4FHT x 72	275-0340
7996	Pro-Vent automatic plumbing vent, ABS	275-1300
58R-50	Dishwasher hose - 5/8" x 50 foot	275-1340
425-PB	Nylon Closet Bolt Set - 18 bolt with white, open end cap nut 5/16" x 2-1/4"	275-1600
053105-N	Closet Bolt Set 1/4" x 3-1/2" - set includes 2 closet bolts, 4 NP brass hex open nuts, 4 NP brass washers (OLD A2R)	275-1630
053025-N	Closet Bolt Set 1/4" x 2-1/4"- set includes 2 closet bolts, 4 NP brass hex open nuts, 4 NP brass washers (OLD A1R)	275-1640
059045	Closet Screw Set 1/4" x 2-1/2" - set includes 2 closet screws, 2 brass hex closed nuts, 2 brass washers (OLD A25R)	275-1650
059125	Closet Screw Set 1/4" x 3-1/2"- set includes 2 closet screws, 2 brass hex closed nuts, 2 brass washers (OLD A25R)	275-1660
053165	Closet Bolt Set 5/16" x 2-1/4"- set includes 2 closet bolts, 2 brass hex open nuts, 2 brass washers (OLD B5R)	275-1670
059205	Closet Screw Set 5/16" x 2-1/2"- set includes 2 closet screws, 2 brass hex closed nuts, 2 brass washers (OLD B28R)	275-1680



Model #	Description	Code #
---------	-------------	--------

Mansfield Ballcocks

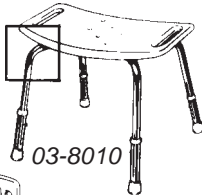
07	Anti-siphon brass ballcock, adjustable water flow, adjustable refill flow, Celcon seat disc, 8" vinyl refill tube, 8" brass float rod, brass locknut and coupling nut.	275-1798
07	CODE 10"	275-1798
07	CODE 11-1/2"	275-1800
08	Anti-siphon plastic ballcock, non-corrosive unified construction, snap action shut-off, 8" vinyl refill tube, 8" brass float rod, Celcon locknut and coupling nut	275-1810
08	CODE 11-1/2"	275-1810
09	Brass Ballcock, one length fits all tanks, brass plunger, non-corrosive nylon seat, ABS hush tube, 10" vinyl refill tube, 8" brass float rod, brass locknut and coupling nut.	275-1820
09	NON-CODE	275-1820
43	Toilet trip lever for use with Mansfield's flush valve in #4, #8 and #35 toilet tanks	275-1850
210	Mansfield Wastersaver Flush Valve, includes shank gasket and locknut, accommodated either direct lever connection or chain connection	275-1880
123-7838	Cap & Lever Assembly for #08	275-1930
630-0030	Service Pack for #210 includes valve seal	275-1940
630-4837	Service Pack #208 & #209F includes diaphragm valve seal	275-1960
630-5702	Service Pack for #07 includes upper & lower diaphragm, thumb screw, nylon plunger and 4 body screws	275-1990
630-7500	Service Pack for Vacuum Breaker includes plunger assembly (123-009) Bonnet (174-9007) and Cap (225-9006) .	275-2000
630-7754	Service Pack for Sill-cock, includes o-ring, bonnet, bonnet o-ring, backflow washer, bibb retainer, seat washer, seat washer screw	275-2010
630-7984	Service Pack for #08 includes upper & lower diaphragm	275-2020



Model #	Description	Code #
	Handi Lav Guard Insulation Kits. Satisfies A.D.A. 4.19.4, ANSI A117.1 Protects against burning and cushions impact P-trap & Lav Supplies	
102W	Cover, White	275-3000



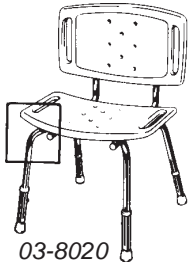
105W	5" Wheelchair Offset, White	275-3010
	(use 102W and 105W for Complete Offset Package)	



03-8000	Bath Safety Bench, blow molded plastic seat , chrome finish steel legs, rubber tipped feet, some assembly required. Dimensions: Seat adjusts from 15"H x 19"W x 12D.	275-4810
---------	--	----------

03-8010

03-8010	Bath Safety Bench, blow molded plastic seat , reinforced anodized aluminum legs, rubber tipped feet, some assembly req. Dimensions: Seat adjusts from 14" to 21"H x 19"W x 12D.	275-4815
---------	---	----------



03-8020	Bath Bench with Back , anodized aluminum frame, ergonomically designed backrest. Overall height: 28"	275-4825
---------	---	----------

03-8020



Flexible
Connectors

Brasscraft Flexible Connectors

	Stainless Steel - Approved both MN & WI	
SSD55-36	1/2OD (3/8 ID) Tubing with fittings 1/2" FIP straight x 1/2" FIP straight x 36"	275-8030